



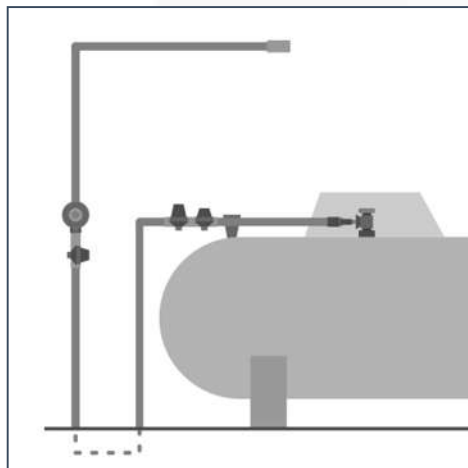
# Regulator LPG 4kg/hr

**Product Code: C182**

These products are mainly used in small LPG installations (domestic or commercial) as single or second stage regulators. All these regulators can be used in specific installations, with Natural Gas, SNG, air, nitrogen and other non-aggressive gases Maximum capacity 5kg/h (69kW). BP1803FV models are equipped with a full relief valve which ensures that the outlet pressure cannot exceed a defined value (generally 140mbar - 2psig) in the event of malfunctions or breakage in the regulator.

## Applications

- Simple and efficient
- Possible pressure adjustment on certain models
- Numerous possible types of inlet and outlet connections - upon request-
- Filter in the inlet connections intended to be fitted onto a cylinder valve.
- Body and cover: die cast zinc alloy
- Diaphragm: NBR, NBR-R or FPM
- Valve pad: NBR or FPM



## Technical Specifications



Code	Inlet code	Inlet connection	Outlet code	Outlet connection	Inlet pressure (Pi) bar	Outlet pressure (Pd) mbar	Flow rate (LPG)		Single stage	Second stage	Filter	Pad Material	Diaphragm Material
							kg/h	kW					
001820AA	F5B	FEM-1/4NPT	F5C	FEM-3/8NPT	0.5-16	30	4	55	✓	--	--	NBR	NBR
001820AC	F2B	FEM-Rp1/4	F2C	FEM-Rp3/8	0.5-16	30	4	55	✓	--	--	NBR	NBR
001820AE	N2A	NUT-NF21, 8LH-27x 14-G/G	Z1D	HNZ-10-EN	0.5-16	30	4	55	✓	--	Y	NBR	NBR
001820AG	N1B	NUT-W20LH -25x13.5	F2C	FEM-Rp3/8	0.5-16	30	4	55	✓	--	Y	NBR	NBR
001820AH	N1B	NUT-W20LH -25x13.5	Z1D	HNZ-10-EN	0.5-16	30 [25-38]	4	55	✓	--	Y	NBR	NBR
001820AM	F5D	FEM-1/2NPT	F5D	FEM-1/2NPT	0.5-4	30 (26-46)	5	69	--	✓	--	NBR	NBR
001820AR	F5D	FEM-1/2NPT	F5D	FEM-1/2NPT	0.5-4	30 (20-70)	5	69	--	✓	--	NBR	NBR
001820AS*	F2B	FEM-Rp1/4	F2C	FEM-Rp3/8	0.8-7	28	4	55	✓	--	--	NBR	NBR
001820AA	F5B	FEM-1/4NPT	F5B	FEM-1/4NPT	0.5-4	37	5	69	--	✓	--	FPM	FPM
001821AB	F5B	FEM-1/4NPT	F5B	FEM-1/4NPT	0.5-4	67 (50-80)	5	69	--	✓	--	FPM	FPM
001821AC	F5B	FEM-1/4NPT	F5B	FEM-1/4NPT	0.5-4	100 (70-120)	5	69	--	✓	--	NBR	NBR-R
001821AD	F5B	FEM-1/4NPT	F5B	FEM-1/4NPT	0.5-4	150 (105-180)	5	69	--	✓	--	NBR	NBR-R
001821AE	F5B	FEM-1/4NPT	F5B	FEM-1/4NPT	0.5-4	200 (140-240)	5	69	--	✓	--	NBR	NBR-R

**Size:**

**Packaging:**