

FEATURES

- Direct operated 2/2 NC solenoid valve
- Valves do not require a minimum operating pressure
- Valve operation is not affected by mounting position
- Internal parts are accessible for cleaning
- The solenoid valves satisfy all relevant EC directives

GENERAL

Differential pressure See «SPECIFICATIONS» [1 bar = 100 kPa]
Maximum viscosity 65 cSt (mm²/s)
Response time 5 - 25 ms

fluids (*)	temperature range (TS)	seal materials (*)
air, inert gas, water, oil	- 20°C to + 90°C	NBR (nitrile) FPM (fluoroelastomer)

MATERIALS IN CONTACT WITH FLUID

(*) Ensure that the compatibility of the fluids in contact with the materials is verified

	Brass body	Stainless steel body
Body	Brass	AISI 303 SS
Core tube	Stainless steel	Stainless steel
Core and plugnut	Stainless steel	Stainless steel
Springs	Stainless steel	Stainless steel
Seat	Stainless steel	Stainless steel
Seals	NBR	FPM
Disc	NBR	FPM
Shading coil	Copper	Copper

ELECTRICAL CHARACTERISTICS

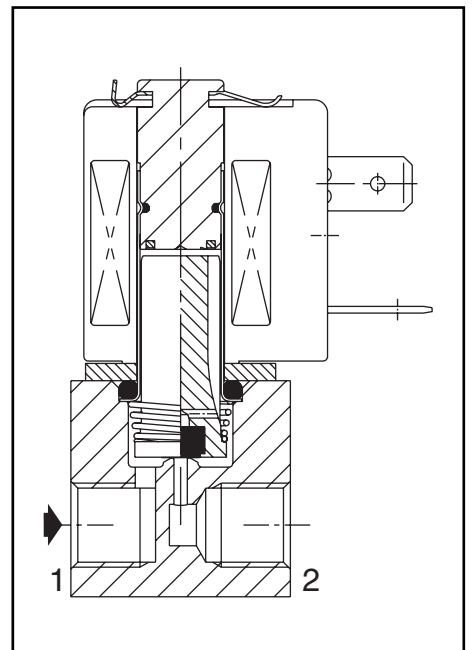
Coil insulation class F
Connector Spade plug (cable Ø 6-8 mm)
Connector specification DIN 43650, 11 mm, industry standard B
Electrical safety IEC 335
Electrical enclosure protection Moulded IP65 (EN 60529)
Standard voltages DC (=) : 24V - 48V
 AC (~) : 24V - 48V - 115V - 230V / 50 Hz
 (Other voltages and 60 Hz on request)

prefix option	power ratings				operator ambient temperature range (TS) (C°)	replacement coil		type ⁽¹⁾
	inrush ~	holding ~	hot/cold =	230 V/50 Hz		24 V DC		
	(VA)	(VA)	(W)					
SC	-	-	-	5 / 6,9	-20 to + 75	-	400125-142	01
	14,5	11	6,3	-	-20 to + 40	400125-217	-	

⁽¹⁾ Refer to the dimensional drawings on the following page.

SPECIFICATIONS

pipe size	orifice size	flow coefficient Kv		operating pressure differential (bar)				power coil (W)		catalogue number		options						
				min.	max. (PS)							brass	stainless steel	maintained man. operator	FPM	EPDM	CR	PTFE
					air (*)	water/oil (*)												
G	(mm)	(m ³ /h)	(l/min)					~	=	~/=	~/=							
NC - Normally closed																		
1/8	1,2	0,05	0,8	0	35	14	35	14	6,3	6,9	SCG225B001	-	MO	V	E	J	T	
	1,6	0,08	1,3	0	20	9	20	9	6,3	6,9	SCG225B002	-	MO	V	E	J	T	
	2,4	0,15	2,5	0	12	2	12	2	6,3	6,9	SCG225B003	-	MO	V	E	J	T	
	3,2	0,2	3,3	0	8,5	1,5	8,5	1,5	6,3	6,9	SCG225B004	-	MO	V	E	J	T	
											SCG225B005	-	-	V	E	J	T	
											SCG225B006	-	-	V	E	J	T	
											SCG225B007	-	-	V	E	J	T	
											SCG225B008	-	-	V	E	J	T	



OPTIONS

- Valves can also be supplied with FPM (fluoroelastomer), EPDM (ethylene-propylene), CR (chloroprene) and PTFE seals and discs. Use the appropriate optional suffix letter for identification
- Explosionproof enclosures for use in zone 22, category 3 to ATEX Directive 94/9/EC (see "Explosionproof solenoids" section)
- Leaded coils
- Compliance with "UL", "CSA" and other local approvals available on request
- Other pipe connections are available on request
- Plug with visual indication and peak voltage suppression or with cable length of 2 m (see Solenoids, Coils & Accessories section)

INSTALLATION

- The solenoid valves can be mounted in any position without affecting operation
- Solenoid valves have 2 mounting holes in body
- Threaded pipe connection is standard: G = G (ISO 228/1)
- Installation/maintenance instructions are included with each valve

ORDERING EXAMPLES:

SC	G	225	B	001	230V / 50 Hz
SC	G	225	B	002	MO 115V / 50 Hz
SC	G	225	B	007	V 24V / DC
SC	G	225	B	008	E 230V / 50 Hz

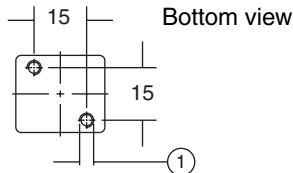
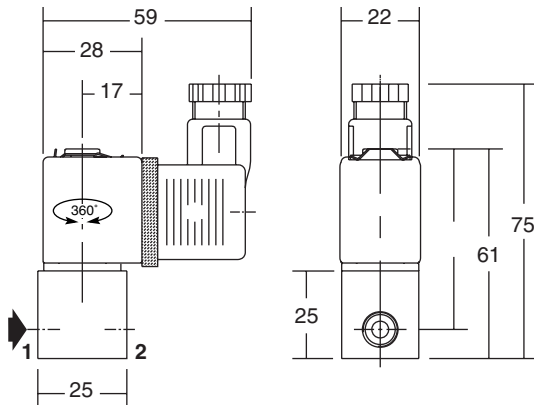
prefix — SC
 pipe thread — G
 basic number — 225 B 001
 voltage — 230V / 50 Hz
 suffix — E

DIMENSIONS (mm), WEIGHT (kg)



TYPE 01

Prefix "SC" Solenoid
Epoxy moulded
IEC 335 /DIN 43650
IP65



① 2 mounting holes Ø M4, depth 9 mm

type	prefix option	weight ⁽¹⁾
01	SC	0,2

⁽¹⁾ including coil and connector.