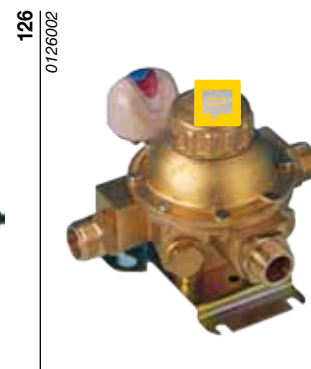


High Pressure Automatic Changeovers

175B – 175C – AC2600 – 126



Application

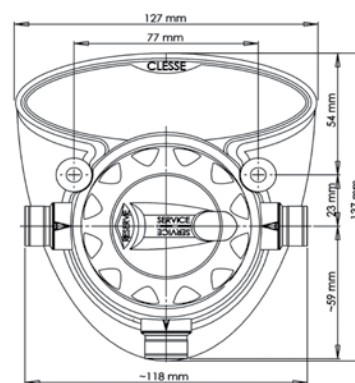
- These first stage automatic changeovers are used with 2 LPG cylinders or 2 batteries of LPG cylinders. They provide the first stage regulation function of the installation.
- They are used in domestic, commercial or agriculture applications up to 50kg/h (690kW).

Construction

- Body and cover: die cast zinc alloy (175B, 175C, AC2600) hot stamped brass (126)
- Diaphragm: NBR-R
- Valve pads: NBR
- Casing (175B, 75C): ABS

Features

- 175B, 175C and AC2600 conform to EN 13786 standard
- Excellent “change-over performances”. The large pressure gap between “service” and “reserve” (more than 15% of nominal regulated pressure) ensures full use of the LPG from the “service” cylinder.
- Non-return valves to prevent any leakage when changing the cylinders
- Filters in both inlet connections
- Reserve indicator built in the knob for 175B, 175C and AC2600 models
- Certain models are provided with a complementary indicator “Magiscope P95” to be installed on the downstream piping. 126 high pressure automatic changeover are equipped with “Magiscope P96” or with a manometer.
- Certain models are delivered with fittings for copper brazing.
- 175 models are provided with a protecting and wall-mounting casing which include instruction display.
- AC2600 and 126 models are provided with a metallic bracket.



175B-0175B00

Code	Inlet code	Inlet connection	Outlet code	Outlet connection	Inlet pressure (Pu) bar	Outlet pressure (Pd) bar	Flow rate (LPG)		Magiscope	Accessories
							kg/h	kW		
175B										
0175B00	E6B	MAL-M20x1,5RH	E6B	MAL-M20x1,5RH	0,7-7,5	0.5	2.6	36	-	1x12mm Braz Fit
0175BS2	E6B	MAL-M20x1,5RH	E6B	MAL-M20x1,5RH	0,8-12,5	0.5	6	83	-	-
175C										
0175C01	F5B	FEM-1/4NPT	F5D	FEM-1/2NPT	1,7-20	1.2	10	138	-	-
0175C12	F1B	FEM-G1/4RH	F1B	FEM-G1/4RH			10	138	-	-
0175C00	E6B	MAL-M20x1,5RH	E6B	MAL-M20x1,5RH	2-16	1.5	12.5	172	P95	1x12mm Braz Fit
0175C02	E6B	MAL-M20x1,5RH	E6B	MAL-M20x1,5RH			12.5	172	-	-
0175C90	E6B	MAL-M20x1,5RH	E6B	MAL-M20x1,5RH			12.5	172	-	1x12mm Braz Fit
0175C20	E6B	MAL-M20x1,5RH	E6B	MAL-M20x1,5RH			12.5	172	-	-
0175C22	L1A	MAL-W20LH-UNI	F5D	FEM-1/2NPT	3,5-16	3	12.5	172	-	-
0175C20	E6B	MAL-M20x1,5RH	E6B	MAL-M20x1,5RH			12.5	172	-	-
0175C21	E6B	MAL-M20x1,5RH	E6B	MAL-M20x1,5RH			20	276	-	-
0175CS1	E6B	MAL-M20x1,5RH	E6B	MAL-M20x1,5RH			20	276	-	-
0175CS4	F5B	FEM-1/4NPT	F5D	FEM-1/2NPT			20	276	-	-
0175CS5	F1B	FEM-G1/4RH	F1D	FEM-G1/2RH			20	276	-	-
0175CS7	L1A	MAL-W20LH-UNI	F5D	FEM-1/2NPT			20	276	-	-
0175CS6	K2B	PIPE-1/4-INV.FLARE	F5D	FEM-1/2NPT			20	276	-	-
AC2600										
002635AD	F5B	FEM-1/4NPT	F5B	FEM-1/4NPT	1,7-20	1.2	10	138	-	-
002635AF	F5D	FEM-1/2NPT	F5D	FEM-1/2NPT			10	138	-	-
002635AA	L1A	MAL-W20LH-UNI	L1A	MAL-W20LH-UNI	2-16	1.5	12	165	-	-
002635AE	E6B	MAL-M20x1,5RH	E6B	MAL-M20x1,5RH			12	165	-	-
126										
0126003	E1E	MAL-G3/4RH	E1E	MAL-G3/4RH	1,7-20	1.2	50	690	-	Manometer
0126002	E1E	MAL-G3/4RH	E1E	MAL-G3/4RH	2-16	1.5	50	690	P96	-

Multi Cylinder Systems